

2” Wafer Product List

Wafer Type	Mask
Dielectric	SKW 1-1
	SKW 1
	SKW 7-2
STI	SKW 3-2 (<i>HDP CVC oxide film</i>)
	SKW 3-2 (<i>CORAL film</i>)
	SKW 3-2 (<i>PETEOS oxide film</i>)
	SKW 3-3
Poly Si	SKW 3AS
	SKW 3PS
	SKW 3PN
W	SKW 5-2
	SKW 5-3
Cu	SKW 6-3 MC TEOS (0.18)
	SKW 6-3 ML BD (0.18)
	SKW 6-3 ML TEOS (0.18)

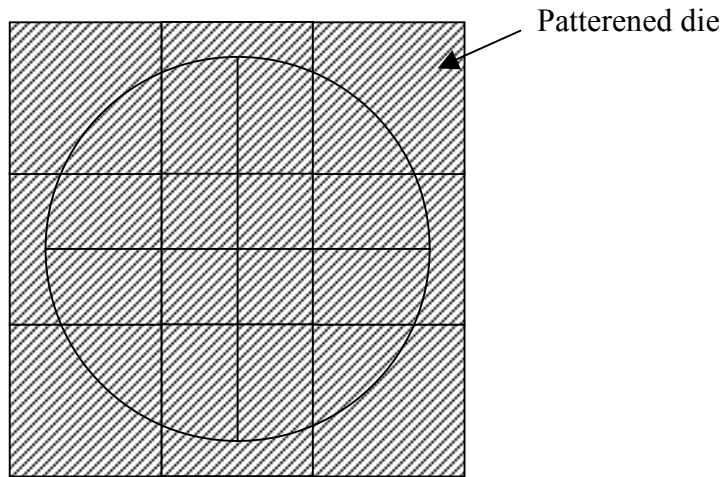
* In addition, all the blanket film wafers for CMP process development are available upon request.

Wafer & Die dimensions

Wafer diameter (mm)	A	200	300
Edge exclusion (mm)	B	5	5
Effective wafer diameter (mm)	A-2B	190	290
Die size (mm)	C	20 X 20	←
Die stepping (mm)	D	0.02 X 0.02	←
Effective die size (mm)	C+D	20.02 X 20.02	←

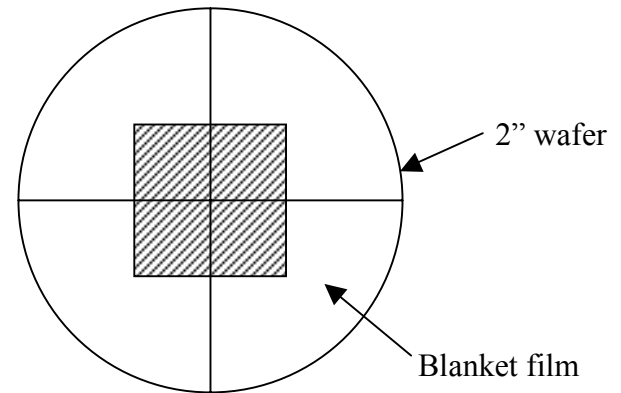
Die patterning on the wafer

Case 1



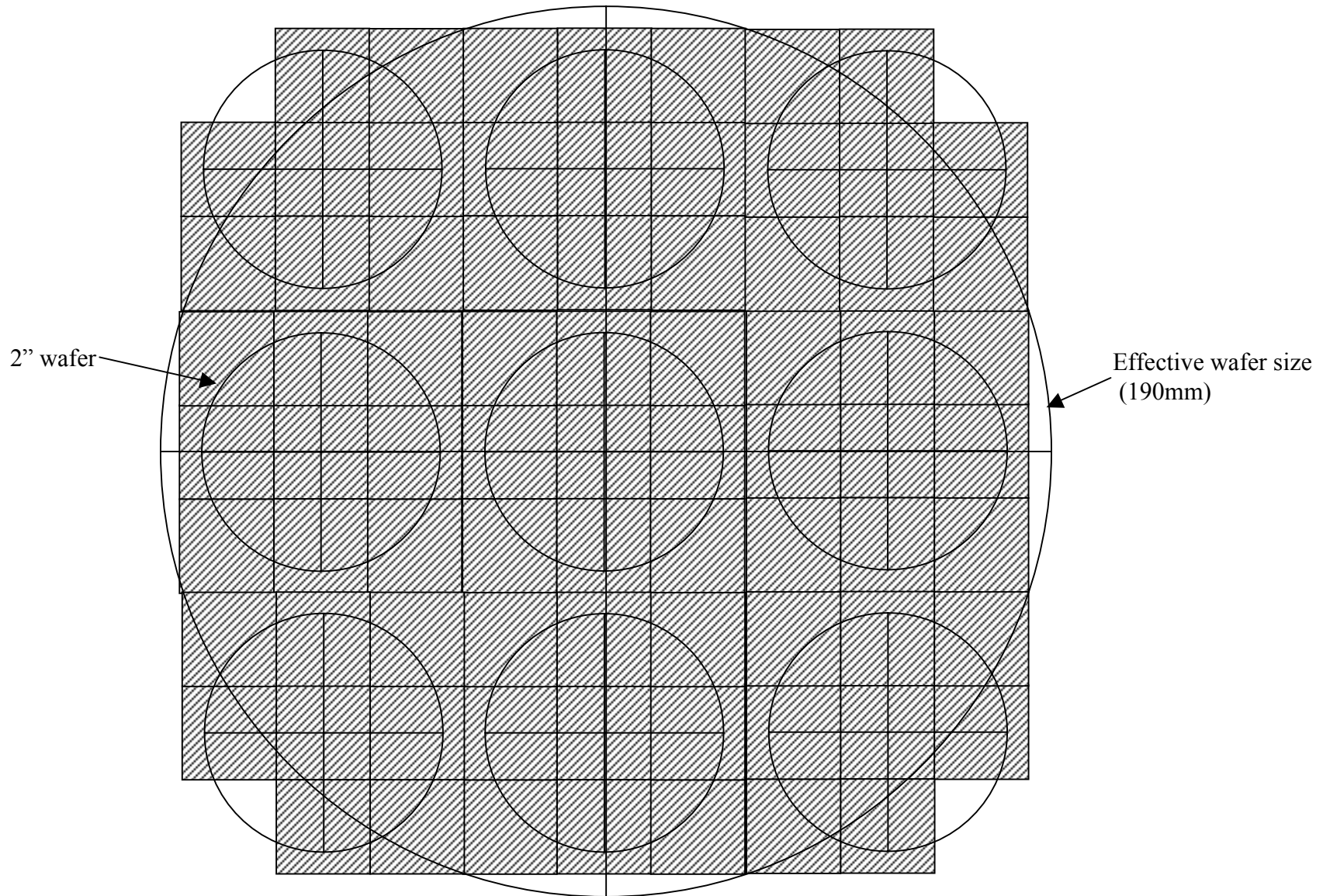
Center die is surrounded by the same patterned dies

Case 2

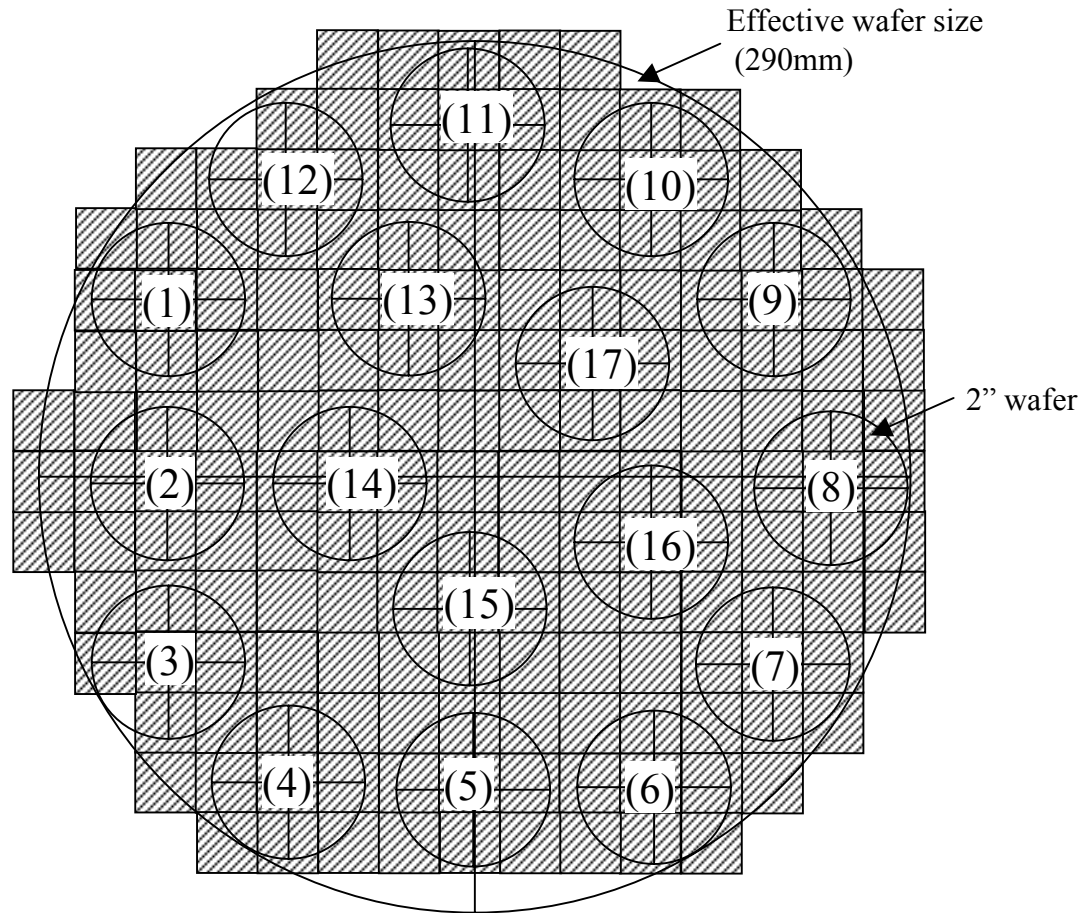


Center die is surrounded by blanket dies

Case 1) five 2" wafers on 8" wf



Case 3) seventeen 2" wafers on 12" wf



Case 2) nine 2" wafers on 8" wf

